

2.2mm-travel Medium-sized Vertical Type SPPH4 Series

Part number	SPPH430200		
Changeover timing	Non shorting		
Travel	2.2mm		
Total travel	3mm		
Operating force	2±1N		
Mounting method	PC board		
Poles	2		
Operation	Momentary		
Terminal type	Snap-in		
Location lug	With		
Operating temperature range	-10°C to +60°C		
Rating (max.)/(min.) (Resistive load)	0.1A 30V DC/50µA 3V DC		
Electrical performance	Contact resistance (Initial performance/After lifetime)	100mΩ max. (Initial performance)	
	Insulation resistance	100MΩ min. 500V DC	
	Voltage proof	500V AC for 1 minute	
Mechanical performance	Terminal strength	5N for 1 minute	
	Actuator strength	Operating direction	30N
		Pulling direction	10N
Durability	Operating life without load	10,000 cycles 100mΩ max.	
	Operating life with load (at max. rated load)	10,000 cycles 100mΩ max.	
Environmental performance	Cold	-20±2°C for 96h	
	Dry heat	85±2°C for 96h	
	Damp heat	40±2°C, 90 to 95%RH for 96h	

Minimum order unit (pcs.)

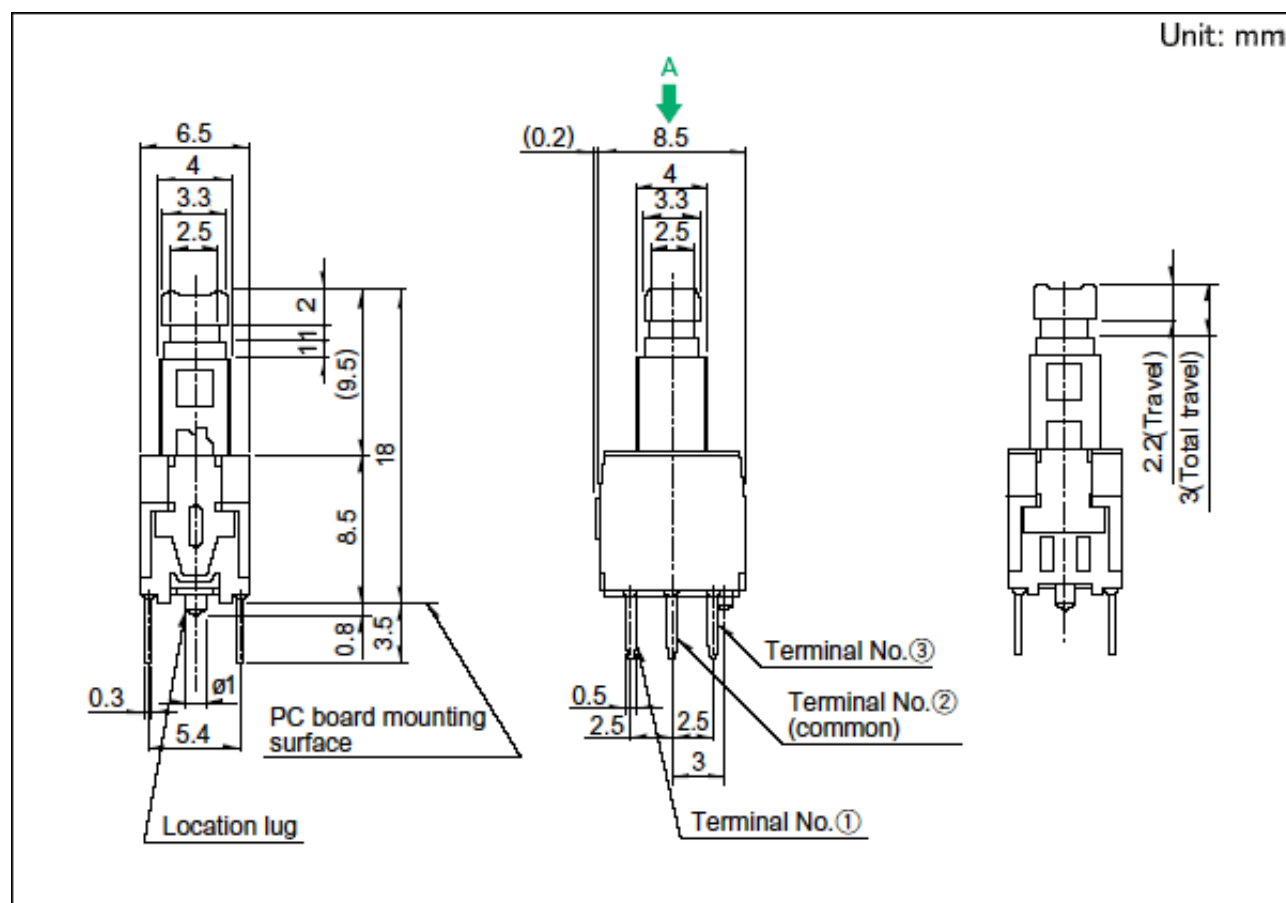
Japan

100

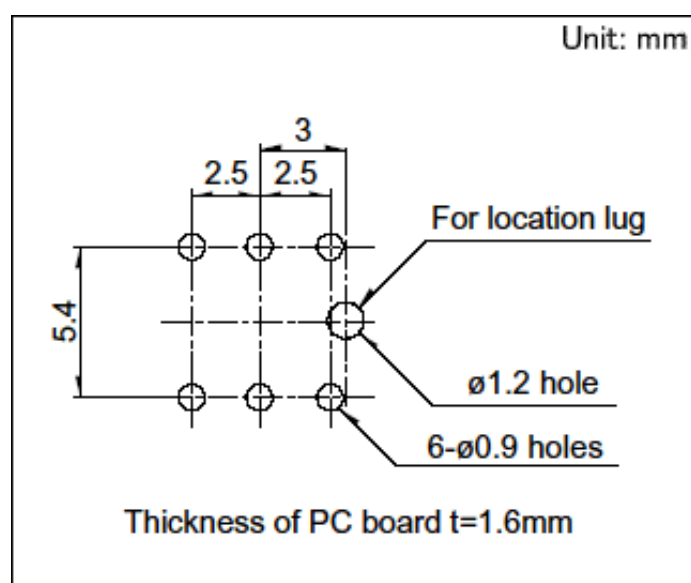
Export

6,000

Dimensions

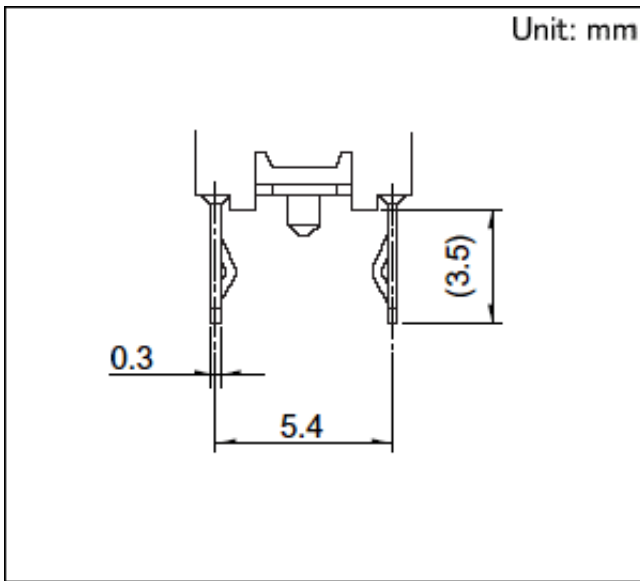


Mounting Hole Dimensions

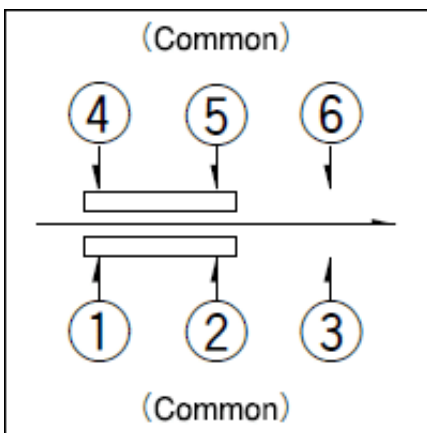


Viewed from direction A in the dimensions.

Terminal Configuration



Circuit Diagram



Packing Specifications

Bulk

Number of packages (pcs.)	1 case / Japan	1,200
	1 case / export packing	6,000
Export package measurements (mm)	400×270×290	

Soldering Conditions

Reference for Dip Soldering

Items	Preheating temperature	-
	Preheating time	-
Dip soldering	Soldering temperature	260±5°C
	Duration of immersion	5±1s

Reference for Hand Soldering

Soldering temperature	350±5°C
-----------------------	---------

Notes are common to this series/models.

[▲ Page top](#)

1. This site catalog shows only outline specifications. When using the product, please refer to the formal specifications for supply.
2. Please place purchase orders per minimum order unit (integer).
3. Products other than those listed in the above chart are also available. Please contact us for details.